

# STATE LEGISLATIVE UPDATES & POSITIONS

---

September 2023



# AB 460

(Bauer-Kahan)

---

## OPPOSE

Strengthen the SWB's enforcement powers to stop illegal water diversions and would sharply increase fines for violators.

Prevent violation that occurred in Shasta River Watershed when farmers & ranchers defied curtailment orders.

- Grant SWB new, sweeping authority to issue interim relief orders without hearing.
- Impose new costly requirements.
- SWB ability to curtail diversions, impose new minimum streamflow requirements.
- Allow SWB to increase fish flows, direct reservoir operations, and require new technical studies.



# FAILED TO ADVANCE

**AB 460** (Bauer-Kahan)

---

**OPPOSE**

Strengthen the SWB's enforcement powers to stop illegal water diversions and would sharply increase fines for violators.

Prevent violation that occurred in Shasta River Watershed when farmers & ranchers defied curtailment orders.

---

- Grant SWB new, sweeping authority to issue interim relief orders without hearing.
- Impose new costly requirements.
- SWB ability to curtail diversions, impose new minimum streamflow requirements.
- Allow SWB to increase fish flows, direct reservoir operations, and require new technical studies.



# AB 1137 (Wicks)

---

## OPPOSE

Clarify that the State Water Board has authority to issue curtailment orders for all diverters, including **Senior Right Holders**.

Drafted in response to a recent decision, suggesting it is up to the Legislature to determine if it is time to update curtailment laws.

- Authorize the SWB to adopt wide-ranging regulations.
- Curtailment to water use under ANY CLAIM of right, including senior water rights.
- SWB can eliminate hearings before issuing curtailments as they see fit.
- Ultimately eliminating due process.

# FAILED TO ADVANCE

AB 1137 (Wicks)

---

OPPOSE

Clarify that the State Water Board has authority to issue curtailment orders for all diverters, including **Senior Right Holders**.

Drafted in response to a recent decision, suggesting it is up to the Legislature to determine if it is time to update curtailment laws.

- Authorize the SWB to adopt wide-ranging regulations.
- Curtailment to water use under ANY CLAIM of right, including senior water rights.
- SWB can eliminate hearings before issuing curtailments as they see fit.
- Ultimately eliminating due process.

**SB 389** (Allen)

**OPPOSE**

Allow State Water Board the authority to investigate and verify whether claims of senior water rights holders are valid.

*"They've got to have more tools at their disposal to better understand the rights system as it exists" - Senator Ben Allen (author)*

- California's existing water rights allocate more water than is available in an average year.
- SWB would be able to investigate and determine scope and validity of any water right claim.
- Water right holder will have the burden to prove the basis of their right.



# AMMENDED

**SB 389** (Allen)

---

# OPPOSE

Allow State Water Board the authority to investigate and verify whether claims of senior water rights holders are valid.

*"They've got to have more tools at their disposal to better understand the rights system as it exists" - Senator Ben Allen (author)*

---

As originally written:

- Placed the burden of proving the basis of the right on the right holder
- Made it much easier for the State Water Board to determine that a water right holder forfeited the right.

Now:

- Only allow the State Water Board to request information from a water right holder
- Not enhance SWB enforcement authority.



**SB 23** (Caballero)

# SUPPORT

Expedited permitting process for water supply and flood risk reduction projects, and ensure critical water infrastructure projects are built at the appropriate pace and scale.

---

- Reform the process for Section 401 permits.
- Require review and approval of 401 and Lake and Streambed alteration Agreements to be completed within 180 days.
- Avoid duplicative planning efforts.
- Allow project applicants to voluntarily contribute resources to allow for additional resources to meet permitting requirements.



# AB 1668 & SB 606

---

## MAKING CONSERVATION A WAY OF LIFE

On August 18 the SWRCB initiated the formal rulemaking for Making Conservation a California Way of Life (Regulation) and released draft regulatory text intended to implement bills passed by the Legislature in 2018 to develop a regulatory framework to achieve long-term water use efficiency.

- Require urban water suppliers to meet an agency-specific urban water use objective starting in 2025
- Require urban water suppliers to meet to comply with annual reporting requirements.
- Residential indoor, outdoor, water loss, and certain variances

**Current Status:** October 4th is the SWB Workshop  
Written comments are due on October 17th.

# ARREARAGES

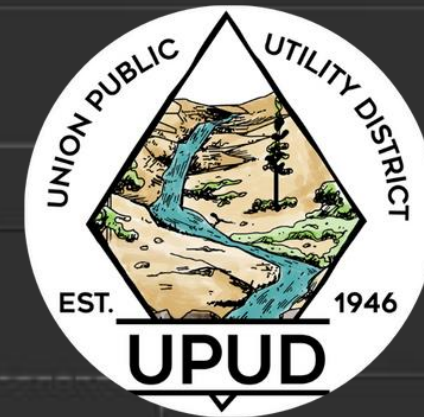
---

## LOW INCOME HOUSEHOLD WATER ASSISTANCE PROGRAM

On July 10, the governor signed a budget trailer bill expanding the Arrearages Program by extending the COVID Relief Period to provide payments for the period starting March 4, 2020 through Dec. 31, 2022.

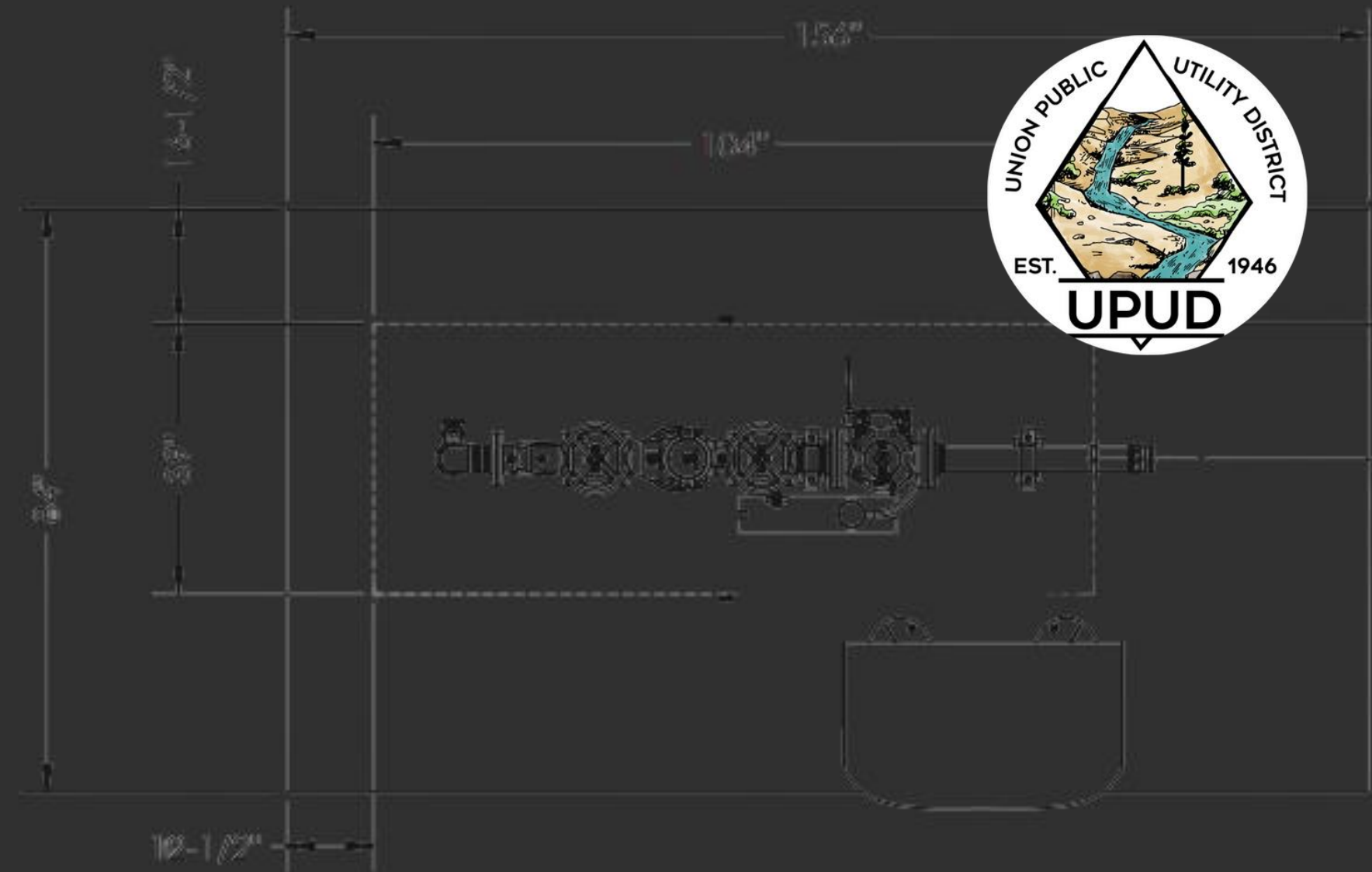
---

- The extension covers both water and wastewater arrears.
- California department of Community Services and Development is evaluating the potential for further extension of the program.



FLOW METER

BACKFLOW PREVENTER



HEATED ENCLOSURE

CONTROL STATION

3" FULL PORT CAM-AND-LOCK COUPLING

CONCRETE PAD

# WATER FILL STATION

September 2023

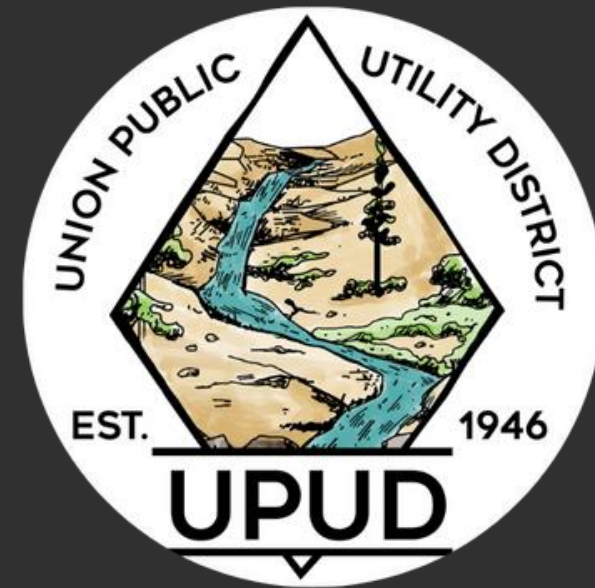
INPUT PIPE, MANUAL VALVE & Y STRAINER BY OTHERS



## Tuolumne-Stanislaus IRWMA received funding through their DAC Drinking Water Reliability Project

---

- Focused on installing 2 bulk water stations within Disadvantaged Communities.
- Groveland Community Services District was awarded funding for one water station
- TStan IRWM wanted the second station to be placed along the highway 4 corridor.



UPUD and City of Angels want to take advantage of the funding to install a fill station for our communities.



# Fill Station Overview

---

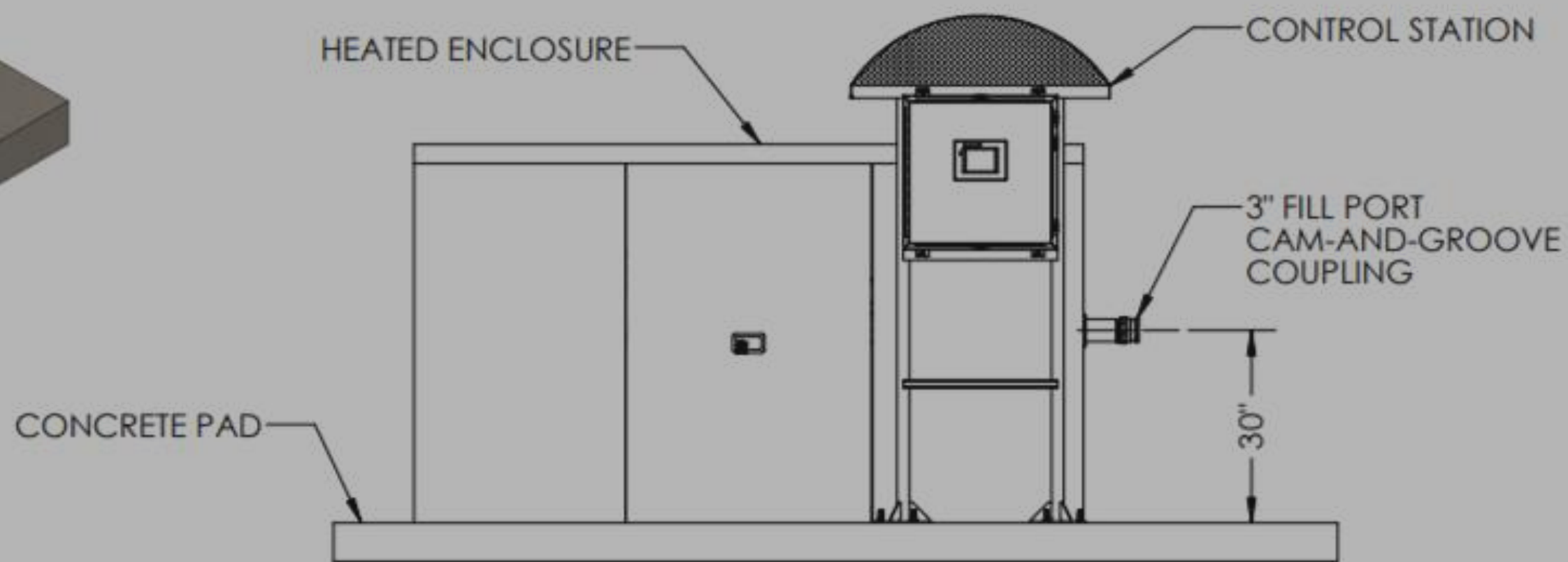
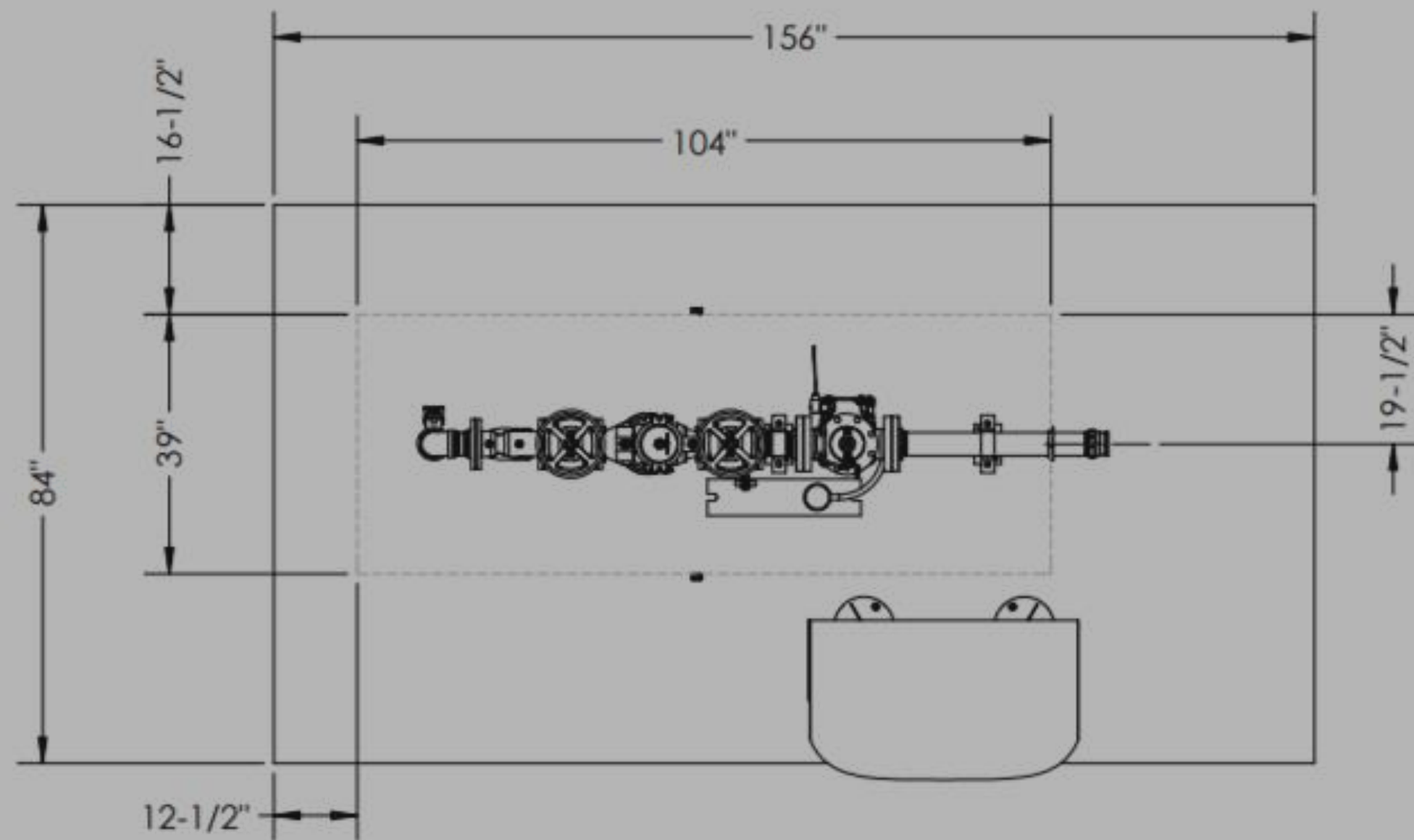
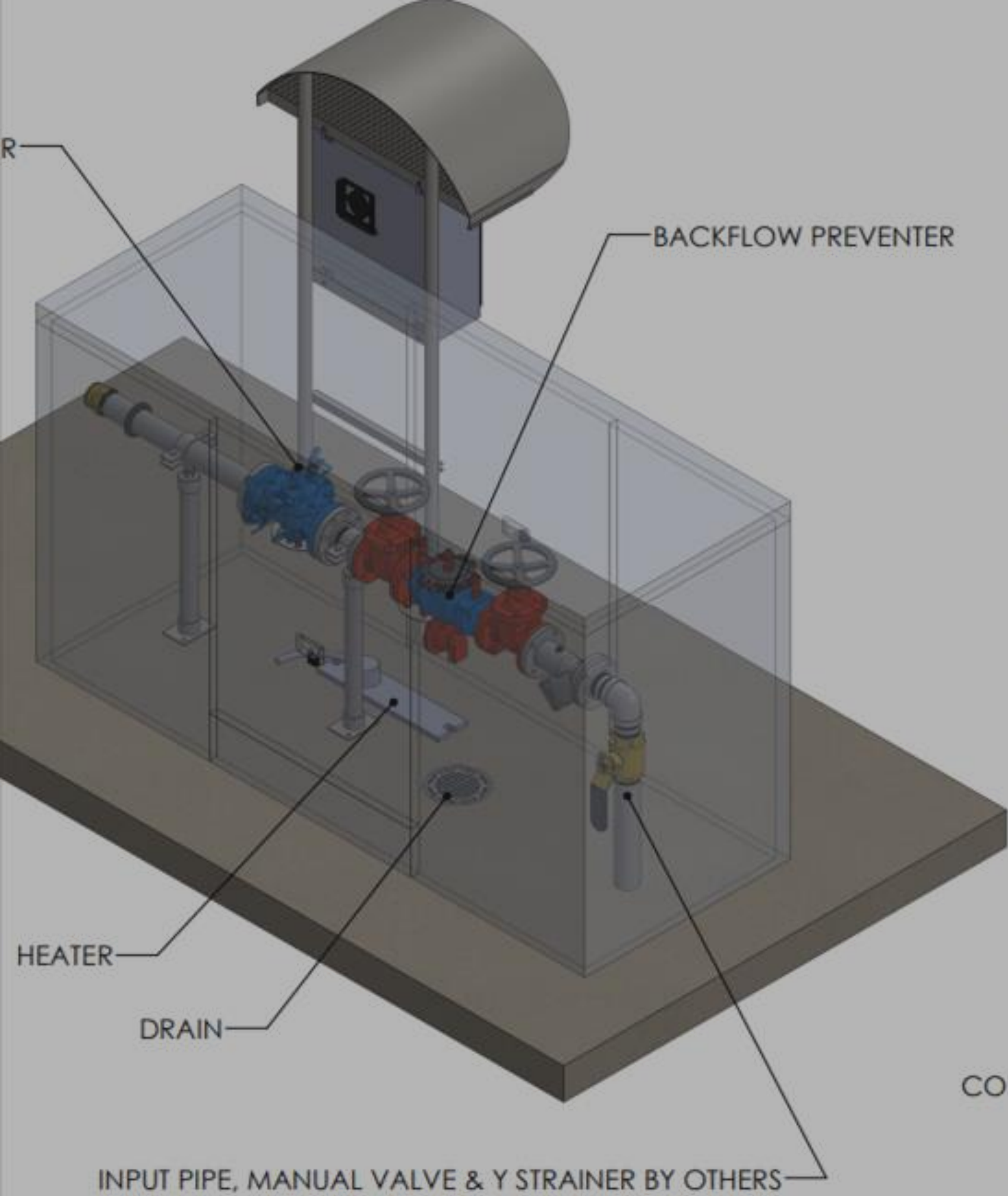
- Solar powered
- Easy user and administrative access
- Card reader
- Access via account number or PIN



## Fill Station Overview

---

- Minimal footprint (8'x8' total)
- Temperature controlled metering control valve and backflow preventer
- Management software for record keeping, billing, monitoring, and reporting





A photograph showing a person's hands pouring water from a red bowl into a white cup. The water is splashing, and the background is a textured, grey surface. The image is overlaid with a dark, semi-transparent layer.

# Grant Overview

---

- **\$150,000**
  - Fill station
  - Staff time
  - Design
  - CEQA & Permitting
  - Construction
- Ends December 31, 2024
- Must be accessible to urban communities.